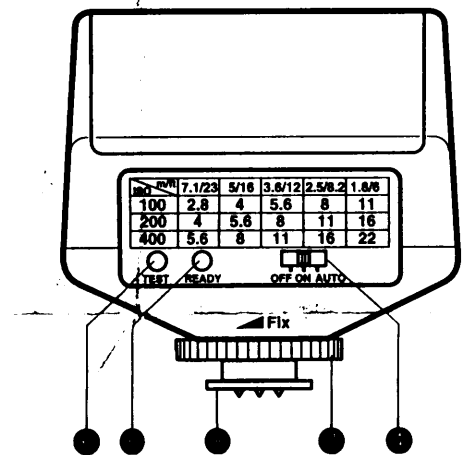
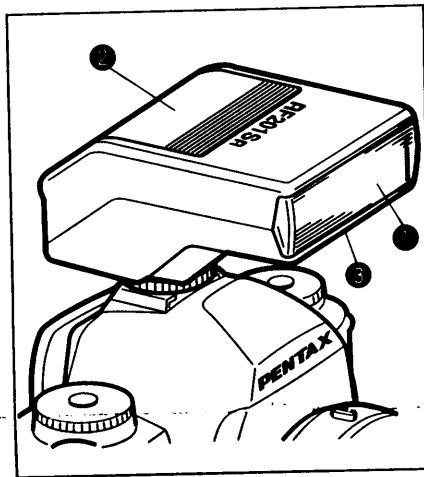


PENTAX[®]

AF201SA

OPERATING MANUAL



OPERATING MANUAL

Please read this manual carefully before operating the flash.

FOR SAFE USE OF YOUR FLASH

⚠ WARNING

- This mark indicates precautions that, if not followed, could result in serious injury to the operator.

⚠ CAUTION

- This mark indicates precautions that, if not followed, could result in minor or medium injury to the operator.

⚠ WARNING

- The electric circuits inside the camera contain high voltage working parts. Never attempt to disassemble the flash unit yourself.
- Never touch internal parts of the flash unit if they become exposed from dropping the flash unit or for some other reason, as there is danger of electric shock.

⚠ CAUTION

- Do not use the flash near anyone's eyes, as it may harm them. Be particularly careful with the flash around infants.
- Always keep the batteries out of the reach of children.
- Do not dispose of the battery in fire, as it may explode.

PRECAUTIONS

- Replace all batteries at the same time. Do not mix battery brands and types, or old batteries with new.
- Remove the batteries when not using the flash unit for long periods of time. Batteries tend to leak if left too long in the unit. This may cause serious damage.
- Avoid leaving the flash unit for extended periods in places where temperature and humidity are high such as in a closed car.

NAMES OF PARTS

1. Reflector
2. Battery chamber cover
3. Auto flash sensor
4. Power switch
5. Flash ready lamp
6. Test button
7. Thumb screw
8. Hot shoe bracket

SPECIFICATIONS

Type: Clip-on type, Series-control Auto flash,
Guide Number: 20 (ISO 100, m)

Number of Flashes & Recycling Time (Approx.)

Power Source	Recycling Time	Number of Flashes
Alkaline battery	8 sec	200
Manganese battery	10 sec	60
Ni-Cd battery	6 sec	80

(Based on Pentax testing conditions)

Flash Coverage Angle: Covers picture area of 35mm lens.

Color Temperature: Equivalent to daylight

Auto flash range: 1.8m - 3.6m (6 ft - 12 ft)

Aperture Auto Set Function: With any Pentax programmed AE its lens set to "A".

Usable Film Speed: ISO 25 - 1600

Power Source: Four AA-size batteries (1.5V x 4); Alkaline, Manganese or Ni-Cd batteries

Dimensions: 66 (W) x 70 (H) x 97 (D) mm

2.6" (W) x 2.8" (H) x 3.8" (D) mm

Weight: 140g (4.9 oz)

Specifications are subject to change without any obligation on the part of the manufacturer.

IN THE PROGRAMMED AE MODE

In the Programmed AE Mode, the aperture is automatically set to the f-stop as shown in Table 1.

The flash range is fixed from 1.8m to 3.6m (6 ft - 12 ft).

Table 1

ISO	f/stop	ISO	f/stop
25	2.8	400	11
50	4	800	16
100	5.6	1600	22
200	8		

IN THE APERTURE-PRIORITY AND MANUAL EXPOSURE MODES

In the Aperture-Priority AE and Manual Exposure modes, a proper f-stop must be manually selected in accordance with Table 2. Otherwise, a proper exposure will not be obtained.

FLASH RANGE

Table 2

ISO	7.1m/23 ft	5m/16 ft	3.6m/12 ft	2.5m/8.2 ft	1.8m/6 ft
100	f/2.8	f/4	f/5.6	f/8	f/11
200	f/4	f/5.6	f/8	f/11	f/16
400	f/5.6	f/8	f/11	f/16	f/22

COMPATIBLE CAMERAS AND EXPOSURE MODES

This flash is designed to work with Pentax SLR cameras that incorporate a Programmed AE Mode. As shown in table 3, it can be used in the Aperture-priority AE Mode and Metered Manual Exposure Mode as well.

Table 3

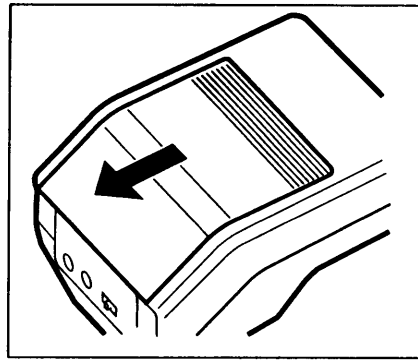
Exposure mode	P30N/P30T, 645 SF-Series, MZ/ZX-Series Z/PZ-Series	LX	K1000
Programmed AE	O*	X	X
(Set the lens aperture to A.) Aperture- Priority AE	O**	O**	X
Manual Exposure	O***	O***	O***

O = Compatible X = Incompatible

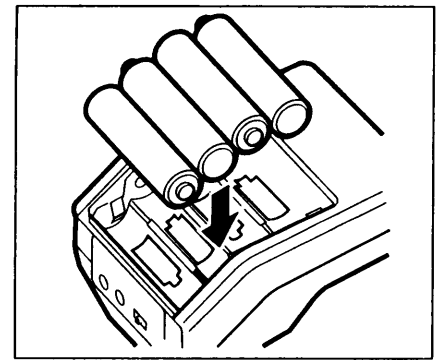
* Upon completion of charging, the flash-sync speed and Programmed f-stop will be set automatically.

** Upon completion of charging, the flash-sync speed will be set automatically. However, the aperture should be set manually.

*** Set the aperture in accordance with table 2 and set the shutter speed slower than the flash sync speed.



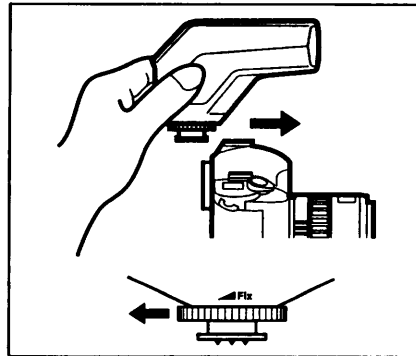
1



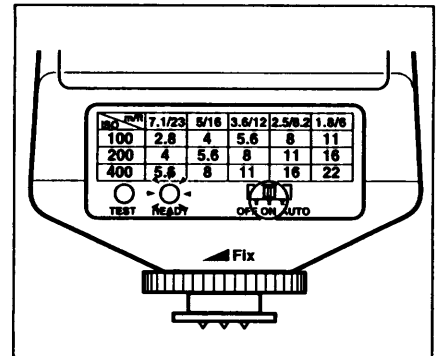
2

1. Open the battery chamber cover.

2. Insert the batteries and close the battery chamber cover.



3



4

3. Attach the flash unit into the hotshoe and tighten the thumbscrew.

4. Set the power switch to [AUTO] position for the programmed AE.