

PENTAX

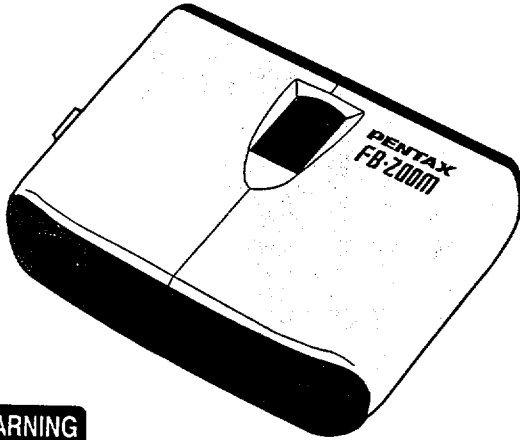
BINOCULARS
FERNGLÄSER
JUMELLES
BINOCOLI
PRISMÁTICOS
VERREKIJKERS

双筒望远镜
 双眼鏡

OWNER'S MANUAL
 BEDIENUNGSANLEITUNG
 MANUEL D'UTILISATION
 ISTRUZIONI
 MANUAL DE INSTRUCCIONES
 HANDLEIDING

使用説明書
 使用説明書

FB-ZOOM
Compact ZOOM



English

Specifications

Features	Models	6-12x17FB Zoom
Type		Roof prism, center focusing, center zoom, Linked operating lens barrels, Retractive eyepiece
Magnification		6~12x
Effective diameter of objective lens		17mm
Real field of view		7.0' (6x)~4.4' (12x) (Diagonal direction)
Field of view at 1000m Field of view at 1000yards		123m(6x)~77m(12x) (Diagonal direction) 368ft(6x)~231ft(12x) (Diagonal direction)
Exit pupil aperture		2.8mm(6x)~1.4mm(12x)
Relative brightness		7.8(6x)~2.0(12x)
Eye relief		13mm(6x)~10mm(12x)
Focusing range		About 2m to infinity About 6.6ft to infinity
Eye width (ocular distance) Adjustable range		56mm to 72mm 2.2 in to 2.8 in
Height & width		72mm x 97mm 2.8 in x 3.8 in
Thickness		27mm 1.1 in
Weight		188g 6.6 oz
Accessories		Case, strap

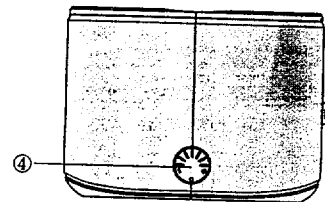
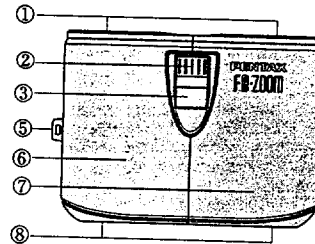


⚠ WARNINGS

Never attempt to look into the sun with binoculars.

English Names of Parts

- ① Eyepiece Lenses
- ② Zoom ring
- ③ Central Focusing Wheel
- ④ Diopter Adjusting Ring
- ⑤ Neck Strap Hook
- ⑥ Right Cover
- ⑦ Left Cover
- ⑧ Objective lenses



English

How to Use

1. Adjusting the eyepiece width.

Turn the central focusing wheel until it stops. The eyepiece lenses are positioned for operation. (See 1-1)

While looking at a distant object through both the right and left eyepiece lenses, slide the cover outwards or inward to adjust the eyepieces separation so that the eyepieces are comfortable in front of your eyes. (See 1-2)

2. Zooming

Rotating the zoom ring to the left decreases magnification. Rotating the ring to the right increases magnification. (See 2)

3. Adjusting the diopter control.

Higher resolution can be obtained when adjusting the diopter control if this adjustment is made at the highest (12X) magnification.

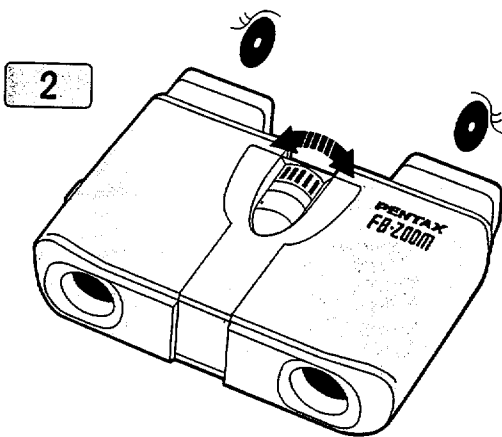
While looking at a distant object through the left eyepiece lens with your left eye, and your right eye closed, turn the central focusing wheel until the object appears sharp. (See 3-1)

Next, while looking at the same object through the right eyepiece lens with your right eye, and your left eye closed, turn the diopter adjusting ring until the object appears sharp. (See 3-2) Once proper focusing has been set, object at different distances can be viewed by turning only the central focusing wheel.

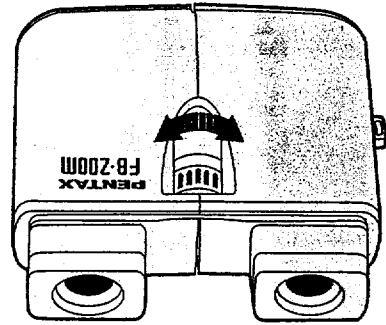
4. Attaching Neck Strap

To attach the strap to the binoculars, pass the strap ring through the strap hook, then pass the end of the strap through the strap ring and gently pull the strap until it is tight. (See 4)

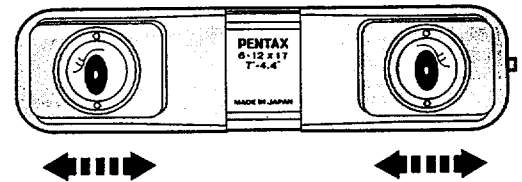
- ⑨ strap hook
- ⑩ strap ring
- ⑪ strap



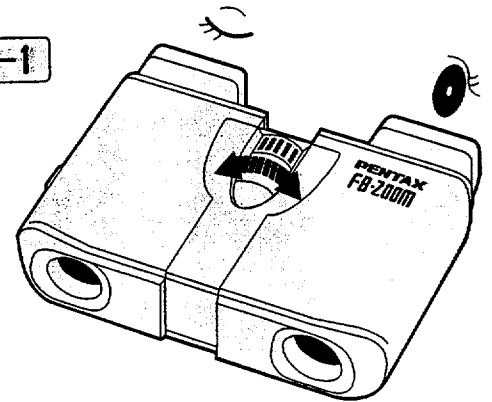
1-1



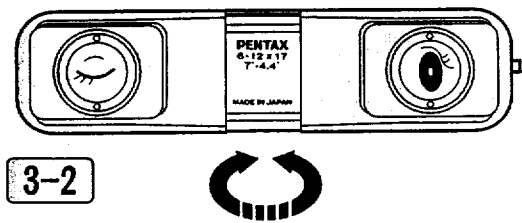
1-2



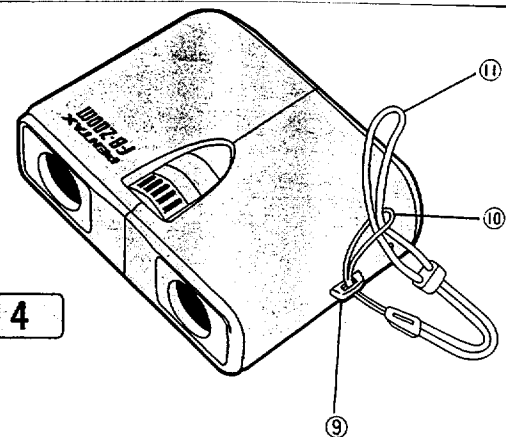
3-1



3-2



4



English

Features

Pentax 6-12×17 FB zoom binoculars cover a wide magnification range from 6x to 12x. This is a brand new type of zoom binoculars: the optics use a glass prism with a high refractive index together with aspherical lenses to obtain sharp images even in the corners of the field of vision.

A retractive eyepiece mechanism enables the eyepiece lens to be drawn into the body, thereby minimising the size of the binoculars when they are not in use and facilitating operation in either hand.

Use is further facilitated by the adoption of a single-shaft operating system with the two zoom operating rings set at the center.

Use of a television screen size (4 : 3) viewing field provides a stabler and more natural view.

⚠ WARNINGS

1. To avoid serious eye damage, **NEVER** look at the sun using the binoculars. Serious damage to the retina, or total loss of eyesight may occur.
2. Do not leave the binoculars in direct sunlight. Sun rays passing through the binoculars will be intensified, and should they focus on flammable materials, fire may occur.

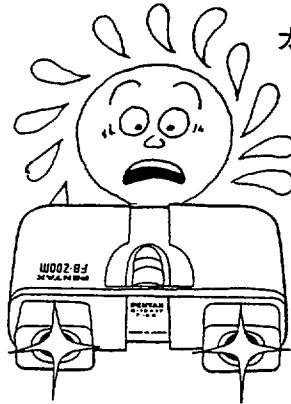
⚠ Safety Precautions

1. Do not use the binoculars while walking as depth perception and peripheral vision are dramatically altered.
2. Caution should be taken when adjusting the binocular barrels to avoid fingers being pinched.
3. Using the binoculars continuously for a long time may cause inflammation of the skin around the eye where the eyepiece come in contact with the skin. Consult a physician if any symptoms are noticed.
4. Do not swing the binoculars by the neck strap.
5. Be careful with the vinyl bag. Keep the vinyl bag in which the binoculars are packed for delivery, and all other vinyl bags, out of the reach of children and infants, as there is a risk of suffocation.

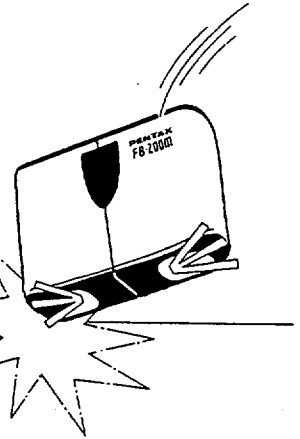
Handling Precautions

1. Do not apply excessive force when adjusting the focusing wheel, diopter adjusting ring, zoom ring or eyepiece width.
2. Do not drop the binoculars or subject them to strong vibration, impact or pressure.
3. Never expose the binoculars to high temperature (Over 60 degrees centigrade or 140 degrees Fahrenheit). Avoid leaving the binoculars for an extended period of time in a hot humid place such as in a car parked in the sun or near a heater, as this could cause the binoculars to become deformed.
4. Care should be taken when the binoculars are taken between two places with widely varying temperatures difference as condensation or, in extreme cases, icelets may form that could cause rust or other damage. In such circumstances the binoculars should be covered so that the temperature change will be as gradual as possible. After the temperatures have stabilized, the binoculars may be uncovered and used again.
5. Reasonable care should be taken to prevent exposure to dirt, mud, sand, moisture, toxic gas, water, salt water, or any other substance which may penetrate the inside of the binoculars, or the mechanisms. These substances may cause internal damage or render the binoculars inoperable.
6. Keep in mind that the binoculars are not water or weather resistant. If water splashes onto the binoculars, allow them to dry naturally, then wipe away any residual dirt with a clean, soft, dry cloth.
7. Binoculars should be stored in a well-ventilated place to prevent fungus growth. Never store them in a closet with mothballs or in an environment where chemicals are handled.

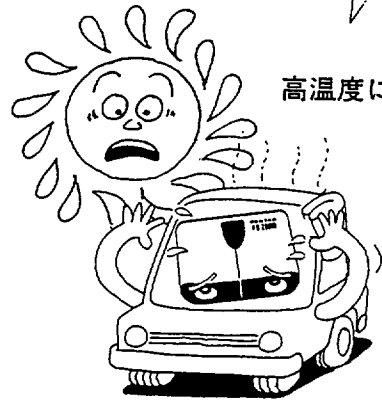
太陽を見ないでください



衝撃を与えないでください



高温度にしないでください



温度差のある場所では
注意してください

