

PENTAX®

**BINOCULARS
FERNGLÄSER
JUMELLES
BINOCOLI
PRISMÁTICOS
VERREKIJKERS**

双筒望远镜
双眼鏡

OWNER'S MANUAL
BEDIENUNGSANLEITUNG
MANUEL D'UTILISATION
ISTRUZIONI
MANUAL DE INSTRUCCIONES
HANDLEIDING
用戶備用冊
使用說明書

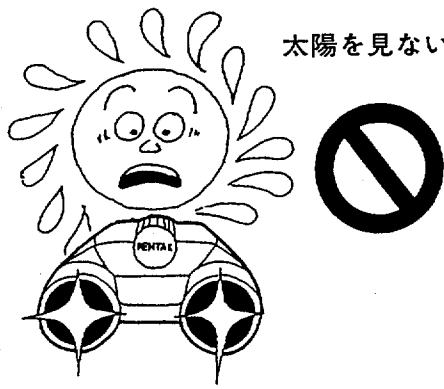
8x24UCFG
10x24UCFG
12x24UCFG
16x24UCFG



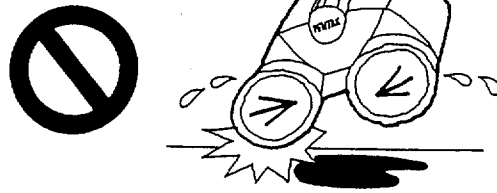
- ▲ WARNINGS**
Never attempt to look into the sun with binoculars.
- ▲ WARNUNG**
Blicken Sie nie mit einem Fernglas in die Sonne.
- ▲ ATTENTION**
N'observez jamais le soleil avec vos jumelles.
- ▲ AVVERTENZE**
Non guardate il sole attraverso il binocolo.
- ▲ ATENCION**
Nunca intente mirar al sol con prismáticos.
- ▲ WAARSCHUWINGEN**
Probeer nooit recht in de zon te kijken met de verrekijker
- ▲ 警告**
切勿使用望遠鏡觀望太陽。
- ▲ 警告**
双眼鏡で太陽を絶対見ないで下さい。

N

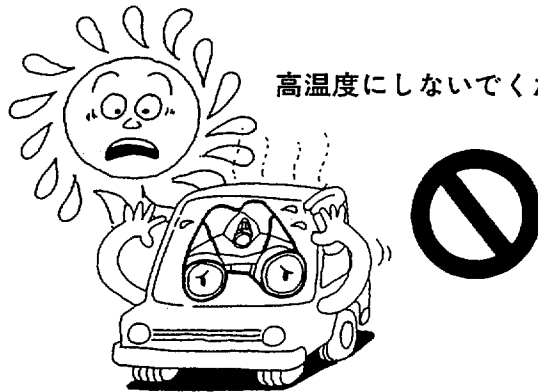
太陽を見ないでください



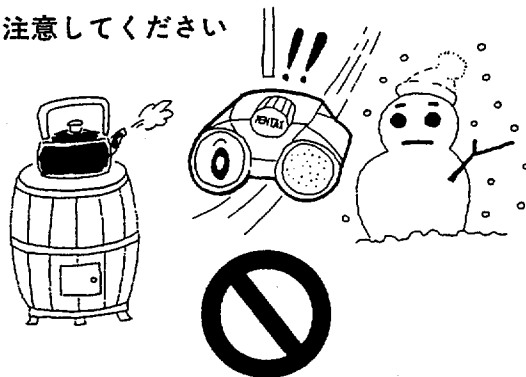
衝撃を与えないでください

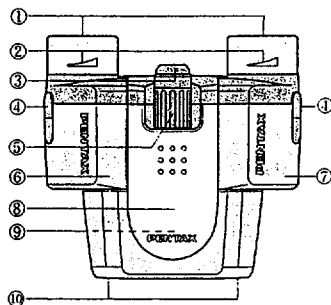


高温度にしないでください



温度差のある場所では
注意してください





Français Descriptif

- ① Lentille de l'oculaire
- ② Bague de l'oculaire
- ③ Bague de réglage dioptrique
- ④ Crochet de fixation de la courroie
- ⑤ Molette de mise au point centrale
- ⑥ Corps droit
- ⑦ Corps gauche
- ⑧ Corps monobloc
- ⑨ Ecrou de pied en bas
- ⑩ Lentille de l'objectif

Italiano Componenti e comandi

- ① Lenti dell'oculare
- ② Anello oculare
- ③ Anello di regolazione diottrica
- ④ Attacco per tracolla
- ⑤ Ghiera di messa a fuoco centrale
- ⑥ Barilotto destro
- ⑦ Barilotto sinistro
- ⑧ Montatura a barilotto unico
- ⑨ Attacco per treppiede fondo
- ⑩ Lenti dell'obiettivo

日本語 各部名称

- ① 接眼レンズ
- ② 目当てリング
- ③ 視度調整リング
- ④ ストラップ取付部
- ⑤ ピント合わせリング
- ⑥ 右鏡体
- ⑦ 左鏡体
- ⑧ 中央ボディ
- ⑨ 三脚ネジ穴
下面
- ⑩ 対物レンズ

Español Nombres de los componentes

- ① Oculares
- ② Anillos de los oculares
- ③ Anillo de ajuste de la dioptría
- ④ Fijadores de la correa de sujeción
- ⑤ Rueda central de enfoque
- ⑥ Cilindro derecho
- ⑦ Cilindro izquierdo
- ⑧ Cilindro único
- ⑨ Engarce del tripode parte inferior
- ⑩ Objetivos

English Names of Parts

- ① Eyepiece Lenses
- ② Eyepiece Ring
- ③ Diopter Adjusting Ring
- ④ Neck Strap Hook
- ⑤ Central Focusing Wheel
- ⑥ Right Barrel
- ⑦ Left Barrel
- ⑧ Uni-Barrel
- ⑨ Tripod Socket Bottom
- ⑩ Objective lenses

Nederlands De verschillende onderdelen

- ① Oculairlenzen
- ② Oculairring
- ③ Dioptriering
- ④ Oogje van de draagriem
- ⑤ Centraal scherpstelwiel
- ⑥ Rechter cilinder
- ⑦ Linker cilinder
- ⑧ één cilinder
- ⑨ Statiefschroefdraad Bodem
- ⑩ Objectieflenzen

Deutsch Bezeichnung der Teile

- ① Okularlinsen
- ② Augenmuscheln
- ③ Dioptrien-Einstellknopf
- ④ Öse für Tragriemen
- ⑤ Mitteltrieb-Scharfeinstellrad
- ⑥ Rechtes Fernglasrohr
- ⑦ Linkes Fernglasrohr
- ⑧ Einheitsfassung
- ⑨ Stativgewinde auf der Unterseite
- ⑩ Objektivlinse

中國語 部品名稱

- ① 接目鏡
- ② 接目鏡環
- ③ 視差調整環
- ④ 肩帶扣
- ⑤ 中央對焦環
- ⑥ 右鏡筒
- ⑦ 左鏡筒
- ⑧ 連體鏡筒
- ⑨ 三腳架插孔
底部
- ⑩ 物鏡

English

Features

Pentax 24 Series UCF G (Uni-barrel Center Focusing) binoculars are designed with advanced technology gained through many years of superior optical design experience and unsurpassed by any standard for this kind of binoculars.

The optics utilize high refractive index glass prisms and aspherical lenses for sharp and bright images even at the corners of the field of vision.

For all its compactness, the 24 Series UCF G has a long eye relief for easy viewing even with glasses. The minimum focusing distance, shortened further in the UCF G, gives you clearer images of closer objects.

Easy-to-carry binoculars thinner than the popular Pentax 24 Series and offering a superb combination of compactness and operability. Equipped with a newly designed metal cover.

⚠ WARNINGS

1. To avoid serious eye damage, **NEVER** look at the sun using the binoculars. Serious damage to the retina, or total loss of eyesight may occur.
2. Do not leave the binoculars in direct sunlight. Sun rays passing through the binoculars will be intensified, and should they focus on flammable materials, fire may occur.

⚠ Safety Precautions

1. Do not use the binoculars while walking as depth perception and peripheral vision are dramatically altered.
2. Caution should be taken when adjusting the binocular barrels to avoid fingers being pinched.
3. Using the binoculars continuously for a long time may cause inflammation of the skin around the eye where the eyepiece ring come in contact with the skin. Consult a physician if any symptoms are noticed.
4. Do not swing the binoculars by the neck strap.
5. Be careful with the vinyl bag. Keep the vinyl bag in which the binoculars are packed for delivery, and all other vinyl bags, out of the reach of children and infants, as there is a risk of suffocation.

Handling Precautions

1. Do not apply excessive force when adjusting the focusing wheel, diopter adjusting ring, eyepiece width or when mounting the binoculars on a tripod. (Please use the optional Tripod Adapter U to mount the binoculars on a tripod.)
2. Do not drop the binoculars or subject them to strong vibration, impact or pressure.
3. Never expose the binoculars to high temperature (Over 60 degrees centigrade or 140 degrees Fahrenheit). Avoid leaving the binoculars for an extended period of time in a hot humid place such as in a car parked in the sun or near a heater, as this could cause the binoculars to become deformed.
4. Care should be taken when the binoculars are taken between two places with widely varying temperatures difference as condensation or, in extreme cases, icelets may form that could cause rust or other damage. In such circumstances the binoculars should be covered so that the temperature change will be as gradual as possible. After the temperatures have stabilized, the binoculars may be uncovered and used again.
5. Reasonable care should be taken to prevent exposure to dirt, mud, sand, moisture, toxic gas, water, salt water, or any other substance which may penetrate the inside of the binoculars, or the mechanisms. These substances may cause internal damage or render the binoculars inoperable.
6. Keep in mind that the binoculars are not water or weather resistant. If water splashes onto the binoculars, allow them to dry naturally, then wipe away any residual dirt with a clean, soft, dry cloth.
7. Binoculars should be stored in a well-ventilated place to prevent fungus growth. Never store them in a closet with mothballs or in an environment where chemicals are handled.

English

How to Use

1. Eyepiece Rings

When using the binoculars with the naked eye, extend the eyepiece rings by turning to the left. (See 1)

When using the binoculars wearing glasses, the eyepiece rings should be left in their original position.

Do not use excessive force when turning the eyepiece rings.

2. Adjusting the Eyepiece Width

While looking at a distant object through both the right and left eyepiece lenses, adjust the barrels so that eyepieces are comfortably in front of your eyes. (See 2)

3. Adjusting the diopter control.

While looking at a distant object through the left eyepiece lens with your left eye, and your right eye closed, turn the central focusing wheel until the object appears sharp. (See 3-1)

Next, while looking at the same object through the right eyepiece lens with your right eye, and your left eye closed, turn the diopter adjusting ring until the object appears sharp. (See 3-2)

Once proper focusing has been set, object at different distances can be viewed by turning only the central focusing wheel.

4. Mounting Binoculars on Tripod

To mount the binoculars on a tripod, screw the optional Tripod Adapter U into the tripod socket and attach the binoculars on to the tripod. (See 4)

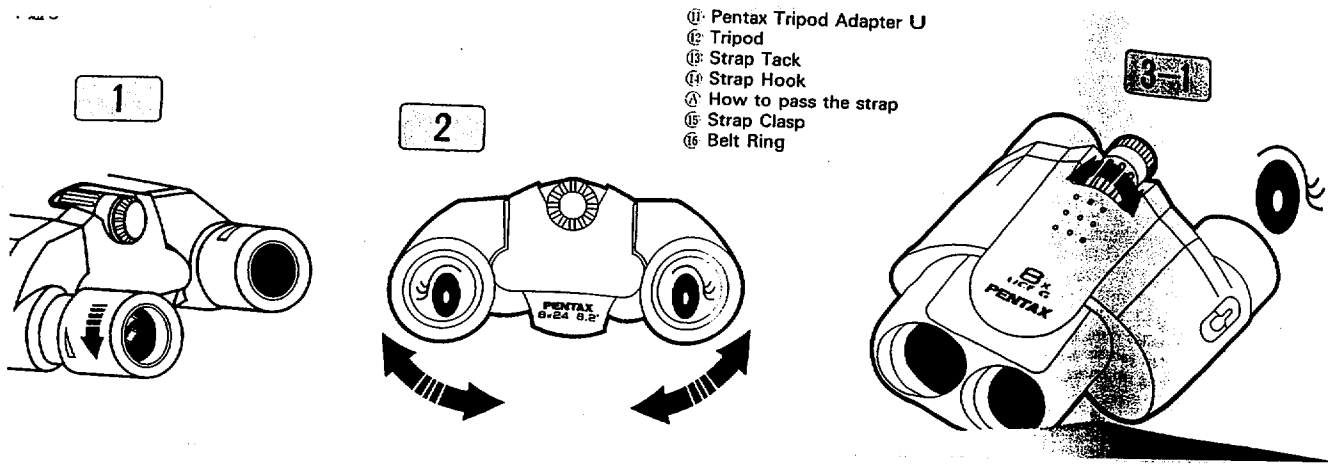
5. Attaching Neck Strap

To attach the neck strap to the binoculars, put the tip of the strap tuck in the strap hook, and slide the strap tuck to the eyepiece lens side while pressing it until it clicks. (See 5-1)

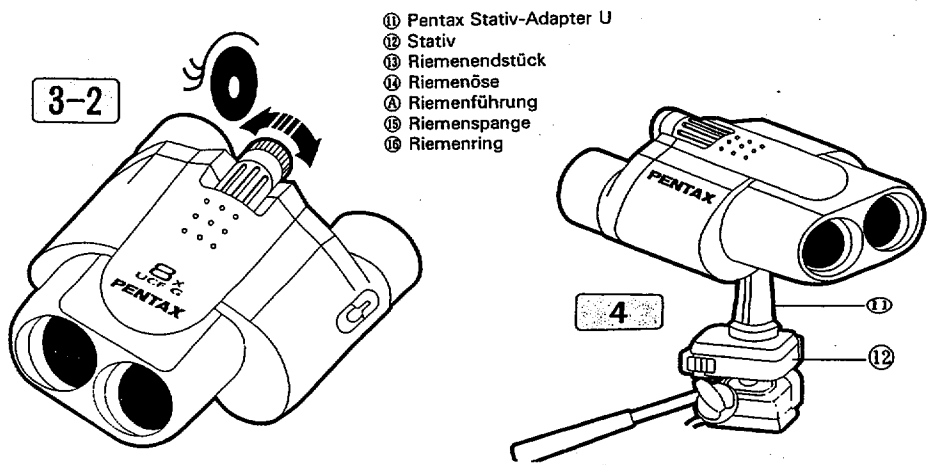
Check to see if the strap is securely attached to the binoculars by pulling the strap.

The strap length can be adjusted according to your preference. It is best to provide enough slack in the strap for easy adjustment. (See 5-2)

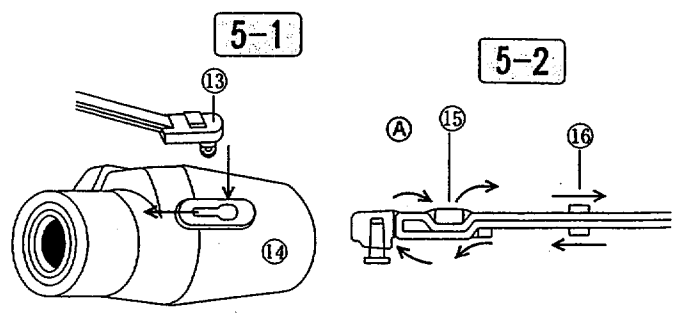
CAUTION: Do not pull the strap in the direction perpendicular to the top of the uni-barrel.



- ① Pentax Tripod Adapter U
- ② Tripod
- ③ Strap Tack
- ④ Strap Hook
- Ⓐ How to pass the strap
- ⑤ Strap Clasp
- ⑥ Belt Ring



- ① Pentax Stativ-Adapter U
- ② Stativ
- ③ Riemenendstück
- ④ Riemenöse
- Ⓐ Riemenführung
- ⑤ Riemenspanne
- ⑥ Riemenring



English

Specifications

Models	8x24 UCF G	10x24 UCF G	12x24 UCF G	16x24 UCF G
Features				
Type	Porro prism, center focusing (Linked-dual-axis), clic diopter adjustment			
Magnification	8x	10x	12x	16x
Effective diameter of objective lens	24mm			
Real field of view	6.2'	5.0'	4.2'	3.1'
Field of view at 1000m	108m	87m	73m	54m
Field of view at 1000yards	324ft.	261ft.	219ft.	162ft.
Exit pupil aperture	3.0mm	2.4mm	2.0mm	1.5mm
Relative brightness	9.0	5.8	4.0	2.3
Eye relief	15mm			
Focusing range	About 2.8m to infinity About 9.2ft to infinity			
Eye width (ocular distance)	56mm to 77mm			
Adjustable range	2.2 in to 3.0 in			
Height & width	103mm x 111mm 4.1 in x 4.4 in		108mm x 111mm 4.3 in x 4.4 in	
Thickness	48mm (1.9 in)			
Weight	270g 9.5 oz	270g 9.5 oz	275g 9.7 oz	280g 9.9 oz
Accessories	Eyepiece lens cap, case, neck strap			

Français

Caractéristiques

Modèles	8x24 UCF G	10x24 UCF G	12x24 UCF G	16x24 UCF G
Caractéristiques				
Type	Prisms de Porro, mise au point centrale (couplage des deux axes), Réglage dioptrique par crantage			
Grossissement	8x	10x	12x	16x
Diamètre effectif de l'objectif	24mm			
Champ visuel réel	6.2'	5.0'	4.2'	3.1'
Champ visuel à 1000m	108m	87m	73m	54m
Ouverture de la pupille de sortie	3.0mm	2.4mm	2.0mm	1.5mm
Luminosité relative	9.0	5.8	4.0	2.3
Dégagement oculaire	15mm			
Plage de mise au point	de 2.8m environ à l'infini			
Plage de réglage de l'écart interpupillaire	56mm à 77mm			
Hauteur et largeur(mm)	103mm x 111mm		108mm x 111mm	
Dicke	48mm			
Epaisseur	270g	270g	275g	280g
Accessoires	Bouchons d'oculaire, étui, courroie			



旭光学工業株式会社

〒174-8639 東京都板橋区前野町2-36-9

ペンタックス販売株式会社

〒100-0014 東京都千代田区家田町1-11-1

●お問い合わせは次の各サービス窓口へ

- ペンタックスフォーラム 〒163-0401 東京都新宿区西新宿2-1-1 新宿三井ビル1階(私書箱240号)
☎03(3348)2941(代)
- 旭光学 東京 サービスセンター 〒104-0081 東京都中央区銀座西8-10 (土橋交差点交番並び)
☎03(3571)5621(代)
- 〃 札幌 サービスセンター 〒060-0010 札幌市中央区北10条西18-36 ペンタックス札幌ビル4階
☎011(612)3231(代)
- 〃 仙台 サービスセンター 〒981-3133 仙台市泉区泉中央1-7-1 千代田生命泉中央駅ビル5階
☎022(371)8663(代)
- 〃 新潟 サービスセンター 〒951-8067 新潟市本町通7番町1153 新潟本町通ビル4階
☎025(224)8391(代)
- 〃 横浜 サービスセンター 〒231-0047 横浜市中区羽衣町2-7-10 日本生命関内ビル8階
☎045(232)5281(代)
- 〃 静岡 サービスセンター 〒420-0858 静岡市伝馬町24-2 住友建設ビル5階
☎054(255)6308(代)
- 〃 名古屋 サービスセンター 〒461-0001 名古屋市東区泉1-19-8
☎052(962)5331(代)
- 〃 大阪 サービスセンター 〒542-0081 大阪市中央区南船場1-17-9 パールビル2階
☎06(6271)7996(代)
- 〃 広島 サービスセンター 〒733-0035 広島市西区南観音3-5-2 空港通りビル6階
☎082(234)5681(代)
- 〃 福岡 サービスセンター 〒810-0802 福岡市博多区中洲中島町3-8 パールビル1階
☎092(281)8868(代)
- 〃 お客様相談室 〒104-0081 東京都中央区銀座西8-10 (土橋交差点交番並び)
☎03(3572)6479

※日曜・祝日および土曜日は原則として休みます。
ただし、年末年始を除きペンタックスフォーラムは年中無休です。

●アフターサービスについて

本製品の、補修用性能部品は、製造打ち切り後5年を目安にして保有しております。従って本期中間は原則として修理をお受け致しません。なお、期間以後であっても修理可能な場合もありますので、当社サービス窓口にお問い合わせください。

PENTAX

Asahi Optical Co., Ltd. 11-1, Nagata-cho 1-chome, Chiyoda-ku, Tokyo 100-0014, JAPAN
(Internet: //www.pentax.co.jp/)

Pentax Europe n.v. Weivekelaan 3-5, 1930 Zaventem, BELGIUM
(Internet: //www.pentaxeuropa.com/)

Pentax GmbH. Julius-Vosseler-Strasse, 104, D-22527 Hamburg, GERMANY
(Internet: //www.pentax.de/)

Pentax U.K. Limited Pentax House, Heron Drive, Langley, Slough Berks SL3 8PN, U.K.

Pentax France S.A. 12/14, rue Jean Poulmarch, 95100 Argenteuil Cedex, FRANCE

Pentax Benelux B.V. (for Netherlands) Spinvekd 25, 4815 HR Breda, NETHERLANDS

(for Belgium & Luxemburg) Weivekelaan 3-5, 1930 Zaventem, BELGIUM

Pentax (Schweiz) AG Industriestrasse 2, 8305 Dietlikon, SWITZERLAND

Pentax Scandinavia AB P.O. Box 650, 75127 Uppsala, SWEDEN

Pentax Corporation 35 Inverness Drive East, Englewood, Colorado 80112, U.S.A.

(Internet: //www.pentax.com/)

Pentax Canada Inc. 3131 Universal Drive, Mississauga, Ontario L4X 2E5, CANADA

- ☆ SPECIFICATIONS ARE SUBJECT TO CHANGE AT ANY TIME WITHOUT NOTIFICATION OR ANY OBLIGATION ON THE PART OF THE MANUFACTURER.
- ☆ DIE TECHNISCHEN DATEN DES PRODUKTES KÖNNEN JEDERZEIT OHNE WEITERE VERPFLICHTUNGEN SEITENS DES HERSTELLERS GEÄNDERT WERDEN.
- ☆ LES CARACTERISTIQUES DE CET APPAREIL SONT SUJETTES A MODIFICATIONS SANS AUCUN ENGAGEMENT DE LA PART DU FABRICANT.
- ☆ LE CARATTERISTICHE POSSONO ESSERE SOGGETTE IN QUALSIASI MOMENTO A VARIAZIONI SENZA ALCUN PREAVVISO O OBBLIGO DA PARTE DEL FABBRICANTE.
- ☆ LA FICHA TECNICA ES SUSCEPTIBLE DE MODIFICACION EN CUALQUIER MOMENTO SIN NOTIFICACION NI OBLIGACION ALGUNA POR PARTE DEL FABRICANTE.
- ☆ SPECIFICATIES KUNNEN TE ALLEN TIJDE WORDEN GEWIJZIG ZONDER VOORAFGAANDE KENNISGEVING OF ENIGE VERPLICHTING VAN DE KANT VAN DE FABRIKANT.

☆ 上述部份規格如有更改，請恕廠方不另行通知。

☆ 記載内容の仕様などの一部が予告なく変更される場合があります。