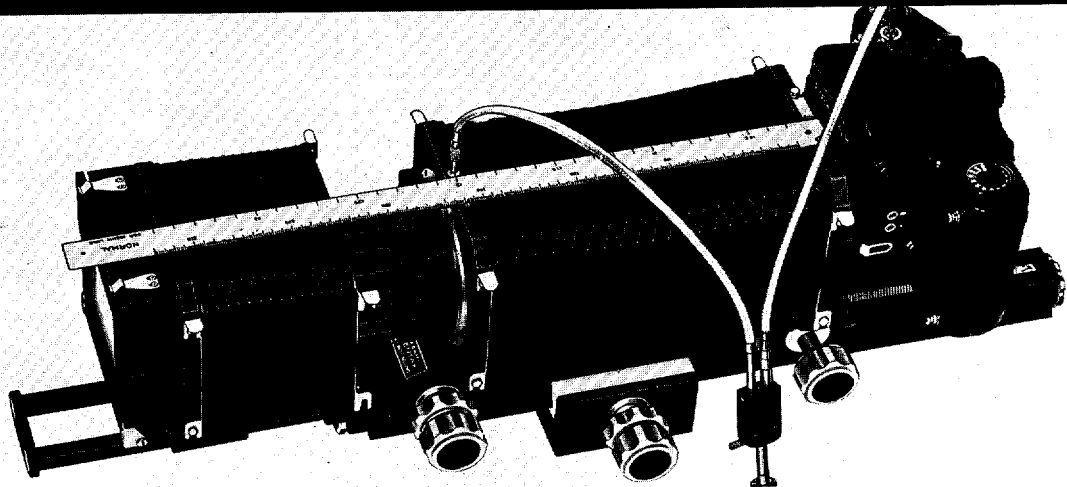
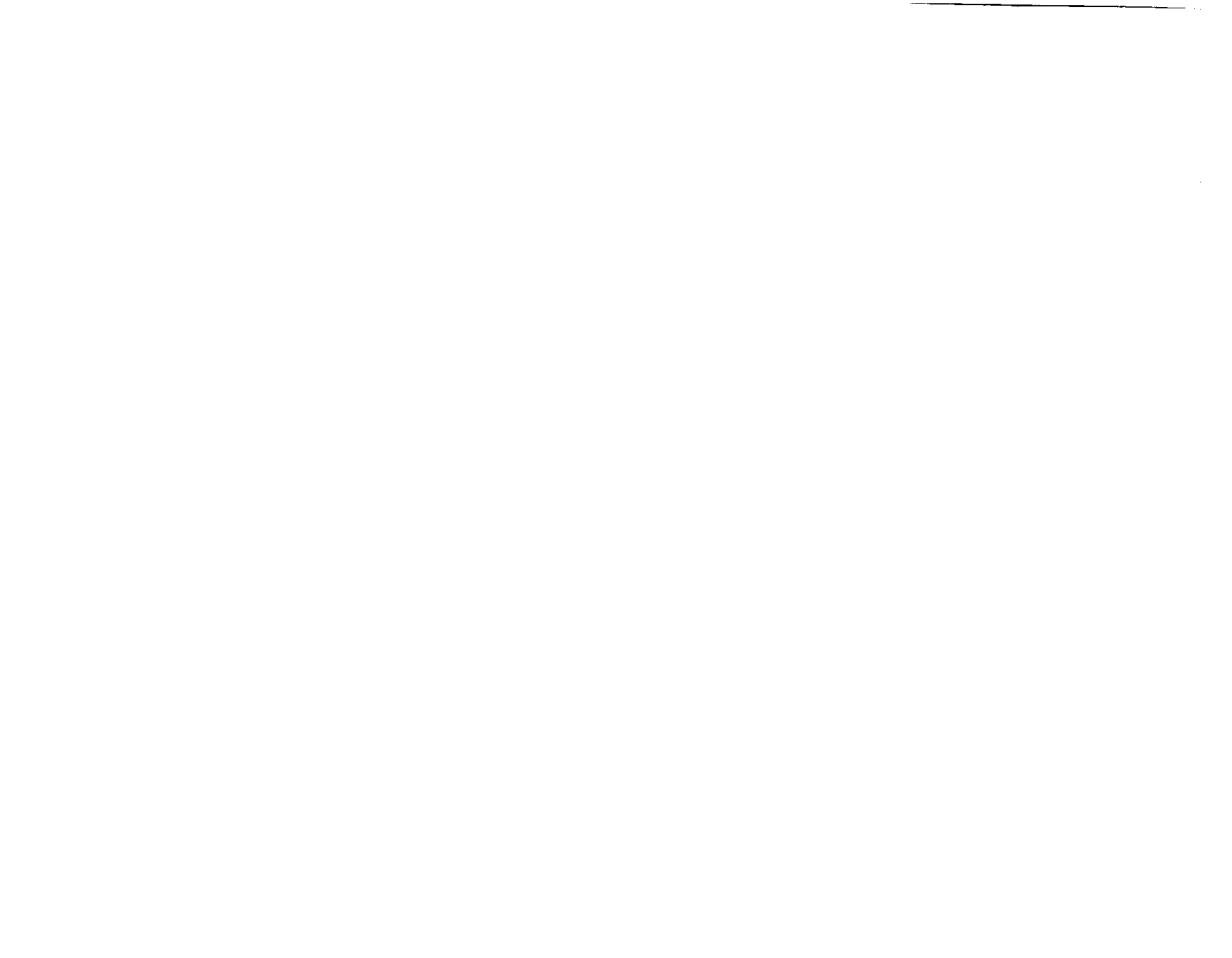


ASAHI PENTAX

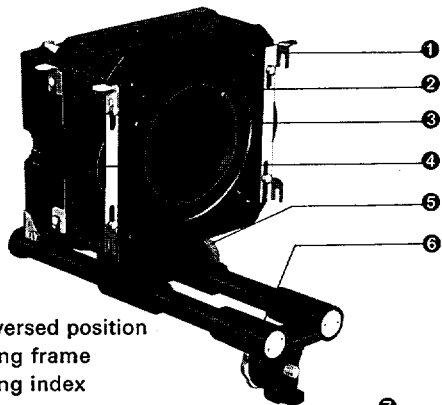


SLIDE COPIER

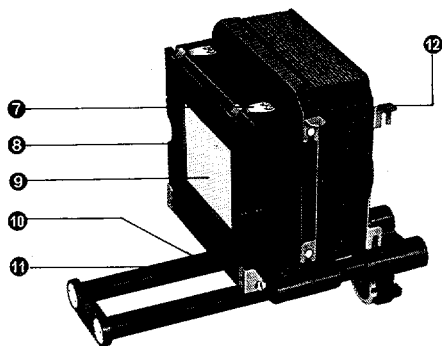




NOMENCLATURE



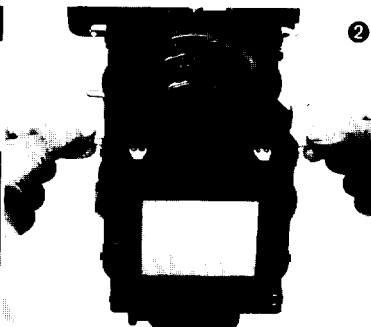
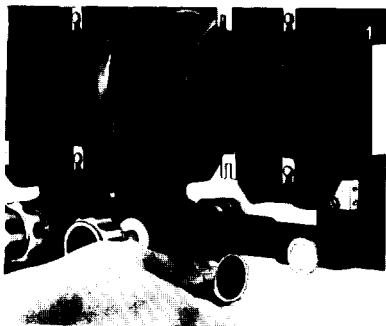
- ① Lever for reversed position
- ② Lens attaching frame
- ③ Lens attaching index
- ④ Bellows
- ⑤ Fastening knob
- ⑥ Slide copier attaching screw



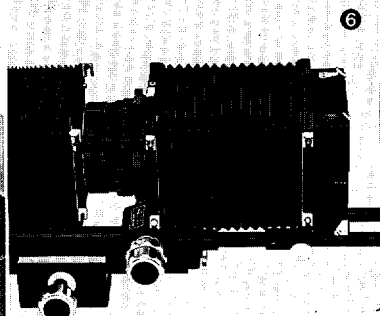
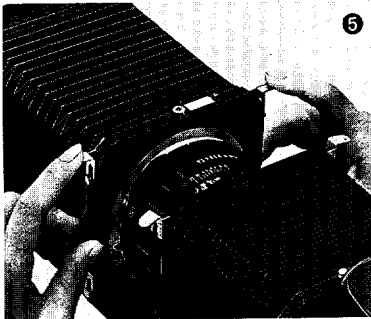
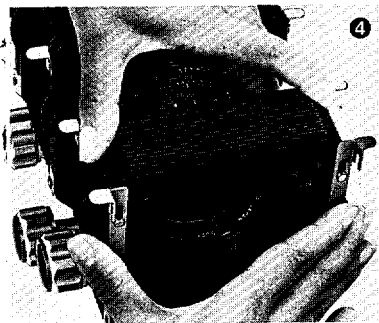
- ⑦ Strip film holder retainer
- ⑧ Strip film holder
- ⑨ Diffusion plate
- ⑩ Copier rail
- ⑪ Slide holder
- ⑫ Bellows fixing frame lever

ASSEMBLY

- 1 Remove the stopper screw from the tip of the X-shaped rail, of the Auto-Bellows. In its place, screw down the slide copier stopper screw.
- 2 Remove the copier bellows from the side of the slide copier. You can remove the copier bellows completely from the slide fixing base by raising the levers on both sides of the slide fixing frame.
- 3 Slightly tilt the lens side of the bellows which has been removed; align the white dot on the lens attaching frame with the white dot on the front frame of the lens. Then attach the copier bellows using the filter bayonet on the front frame of the lens.

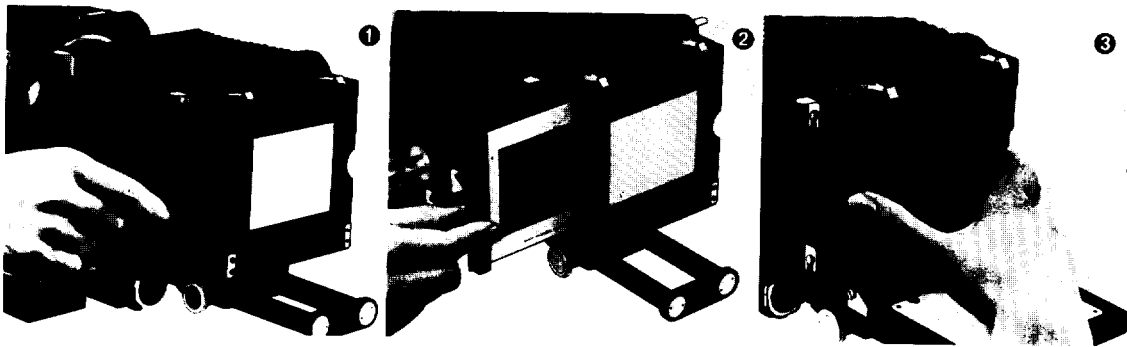


- ④ The copier bellows is attached by an internal holder. It can be removed easily if you hold the reverse adapter frame with your left hand (as shown in the picture) while you pull the bellows fixing frame toward the slide fixing base with your right hand. When doing this, the lens should be first moved to the tip of the copier rail.
- ⑤ The assembly of the slide copier is complete when the bellows has been extended and again attached to the slide fixing base.
- ⑥ When reversing the lens, attach the copier bellows to the front plate of the reversed auto-bellows.

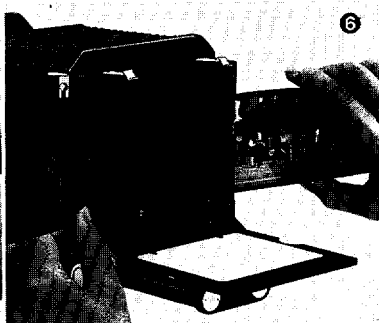
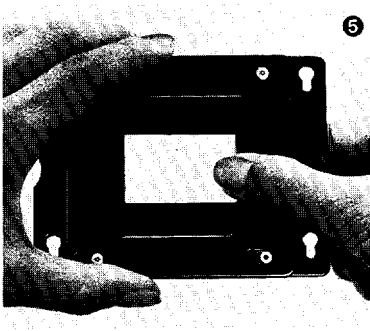
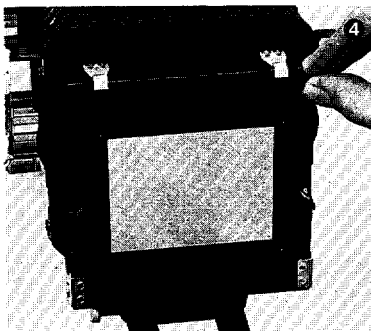


OPERATION

- 1 Pull out the slide holder as shown in the picture. Remove the 35mm slide holder from inside it.
- 2 Place the 6×7 original negative to be reproduced into the slide holder with the base side of the film toward the camera. Insert the slide holder containing the original negative into the slide holder containing the original negative into the slide fixing frame.
- 3 Tip the diffusion plate forward to remove the strip film holder from inside it. You can easily remove this holder if you push it up with your finger as shown in the picture.



- ④ Preparation is complete when the diffusion plate is tipped back into place.
- ⑤ When using strip film original negatives, remove the 35mm size support frame attached inside the strip film holder.
- ⑥ When using strip film, position the 6×7 strip film holder, position the film with the film guide screw, then lock it into place with the diffusion plate.

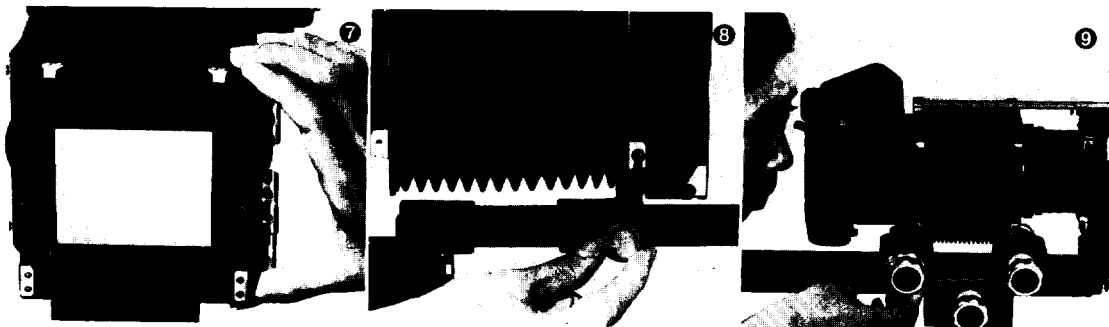


OPERATION

- ⑦ The slide holder, as a unit, can be moved slightly. Adjustment to correct positioning for partial copying can be made by shifting the slide holder containing the original negative up or down while looking through the viewfinder.
- ⑧ Since the photographing position is indicated on the slide copier rail at intervals of 0.5 magnification from zero to three magnification, you can move the slide copier according to the desired magnification and set it with the stopper screw.

The scale of magnification is based on a standard of 105mm and F/2.4.

- ⑨ When a particular magnification is not required, you can focus most accurately by adjusting the slide holder to the proper scale of magnification and then moving the body back and forth for precise focusing.

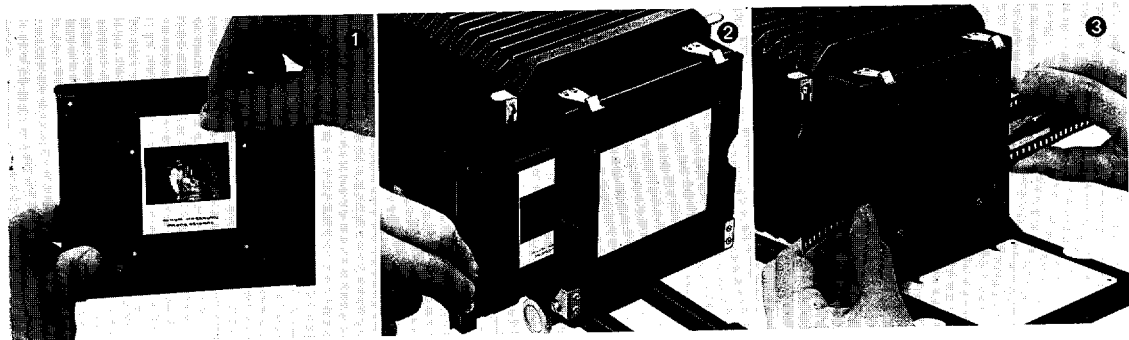


For duplicating a 35mm as a 6×7.

This operation is identical with the duplication of a 6×7.

However, you must use the pressure plate in place of the slide holder.

- ① Pull out the slide holder and insert the 35mm original negative into it.
- ② Place the slide holder into the copier slide holding frame as shown in the picture. At this time, you should remove the strip film holding frame.
- ③ When using a 35mm strip film original negative, use the 35mm size support frame. Simply hold the strip film with the support frame and the diffusion plate.



ILLUMINATION

Since a diffusion plate (milky white) is provided at the tip of the slide copier, direct sun light can be used as the source of illumination. When using a lamp as a source, be sure the illumination is even. When copying a colour slide with daylight-type colour film, use daylight as the light source. Otherwise, the result will be a reddish, bluish or greenish tone. If you wish to use a lamp as the source of illumination, use a blue lamp (daylight colour). Colour slide viewing boxes using fluorescent lamps are not suitable as light source for photographing with colour films. When using outdoor light as a source, avoid cloudy days because this results in a bluish tone. Even use of a filter for cloudy conditions will not correct this.



ASAHI OPTICAL CO., LTD. C.P.O. 895, Tokyo 100-91, JAPAN

ASAHI OPTICAL EUROPE N.V., Weiveldlaan 3-5, 1930 Zaventem, BELGIUM

ASAHI OPTICAL EUROPE S.A. (Hamburg Office) 2000 Hamburg 54 (Lokstedt), Grandweg 64, WEST GERMANY

ASAHI OPTICAL (AMERICA) INC. 15 East 26th Street, Suite 1710, New York, New York 10010, U.S.A.

ASAHI OPTICAL BRASILEIRA IND. E COM. LTDA. Rua Estados Unidos, 1053, São Paulo, BRASIL